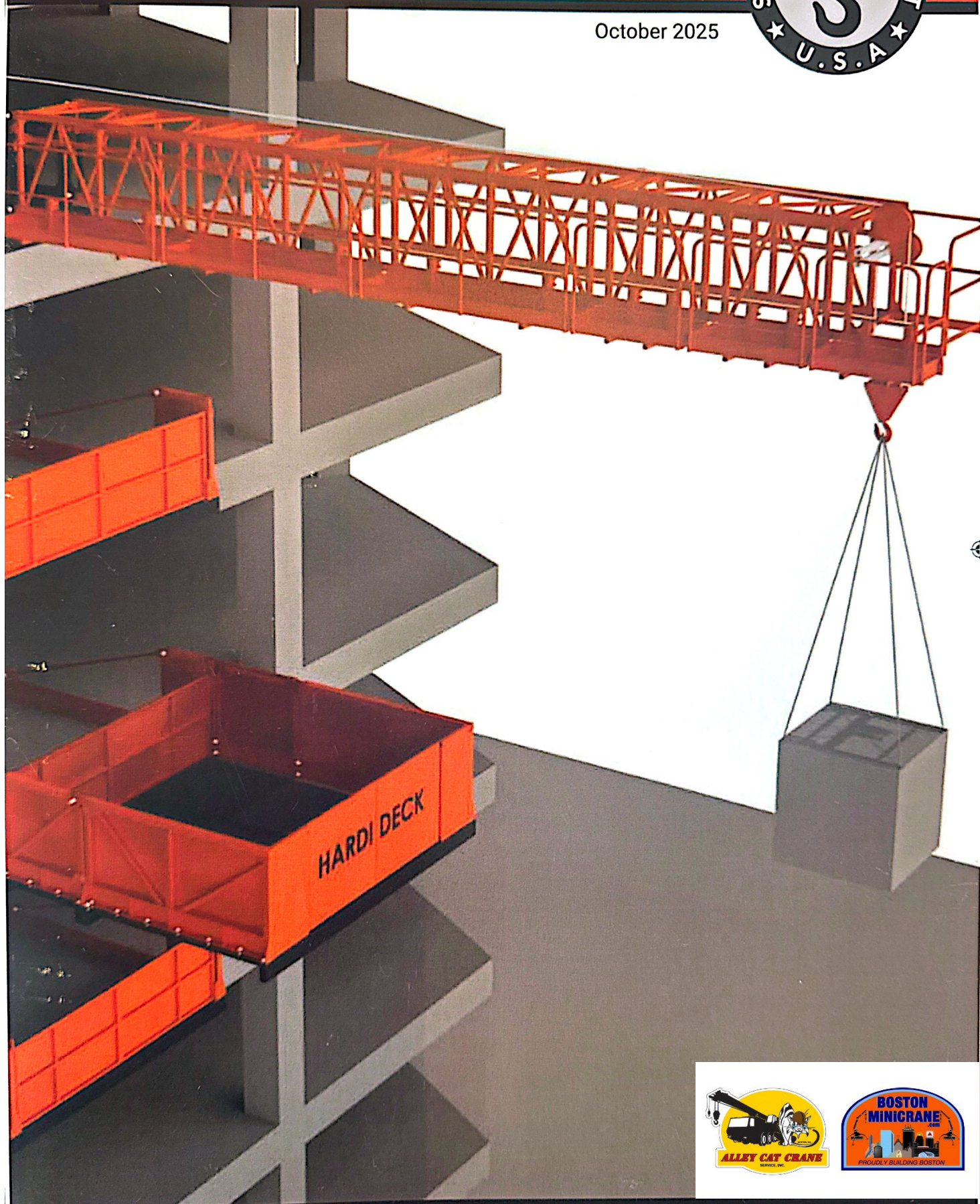
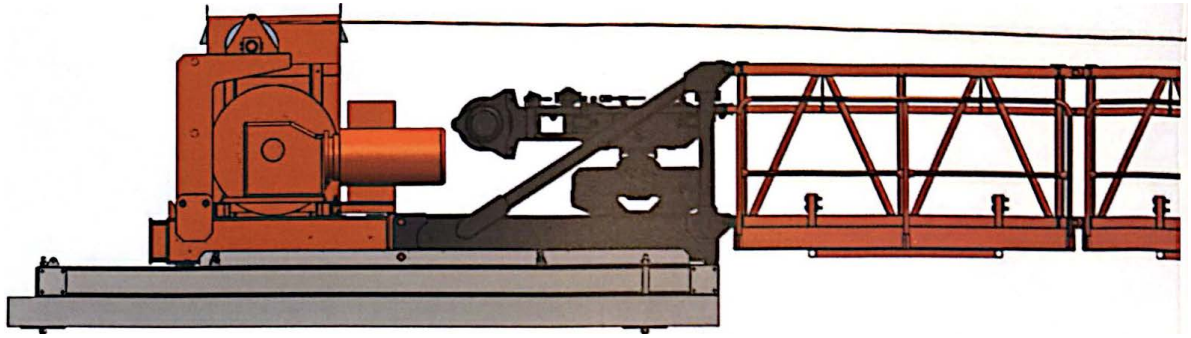


Deck Crane JMC1040

October 2025



Deck Crane JMC1040



Frequently Asked Questions

■ What problems does it solve?

The JMC1040 DeckCrane™ has been designed to provide an optimized materials handling outcome for multi-story construction projects where tower cranes are often the primary method of materials handling. The DeckCrane™ works as part of the total materials handling solution by independently performing lifts that allow the tower cranes to be concentrated on the lifts that only the tower crane can perform. The DeckCrane™ also provides materials handling for packages of works that are independent of the package of works that the tower cranes are installed for, thereby keeping all sub-contractors productive instead of waiting for the scarce resource of the tower cranes. The DeckCrane™ also provides an alternative to moving materials in hoists as well as mobile crane, crawler cranes and boom trucks. The DeckCrane™ can even be the primary method of materials handling on a project without any other crane on the project!

■ What type of machine is it?

The DeckCrane™ is a monorail crane. The DeckCrane™ consists of a jib section which extends out from the slab edge of a multi-story building. That jib section contains the trolley and hook block. The internal machine deck houses the hoist winch, secondary winch brake, trolley winch and control panel.

■ What are its parameters?

Jib lengths: 29' 6", 25' 7", 21' 7", 17' 8", 13' 9"

■ How much can it lift?

8818lb with 4-part hook configuration, at maximum reach
4409lb with 2-part hook configuration, at maximum reach

■ How far down can it reach?

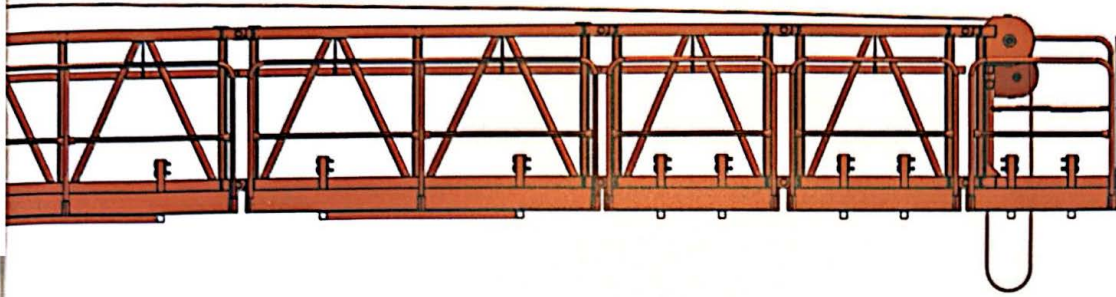
305ft with 4-part hook configuration
610ft with 2-part hook configuration

■ What speed is the hoist winch?

4-part hook with 4409lb – 82ft per min
4-part hook with 8819lb – 41ft per min
2-part hook with 2204lb – 164ft per min
2-part hook with 4409lb – 82ft per min

■ What power does it require?

3 phase 480-volt US



■ What safety features does it have?

The DeckCrane™ has all the safety features of a conventional tower crane including a secondary, direct to drum brake on the hoist winch. The DeckCrane™ is manufactured with the same design criteria as a tower crane, using the same high-performance materials and components and is subject to the same design analysis, testing and certification. It is manufactured to international standards and has undergone third party verification of conformity. It is fitted with an LMI system and has a digital display located on the remote control and internal machine deck. All reeving and set up tasks are performed with in a handrailed walkway.

■ How long does it take to install?

If the Rapid Mount™ system is used, the DeckCrane™ can be installed in as little as 30 minutes or less! With a propping installation, like any cantilever loading platform, the installation is only a little over 30 minutes. The DeckCrane™ can be installed in one 8,375lb section or in two sections of 5,733lbs and 2,646lbs. Customized installation configurations are available with an application engineering request.

■ How is it secured to the structure?

The DeckCrane™ can be secured by the Rapid Mount™ system or back propped to a floor above like any cantilevered loading platform. It can also be secured with its designed counterweight system for rooftop or working deck locations. The loadings for each configuration are in the manual and the engineer of record must decide the correct application.

■ Who does the design, engineering and certification?

Design and development of the DeckCrane™ has been led by Mr. Steve Hardiman over several years, drawing on his more than 30 years of experience in the crane industry spanning roles from technician, erector, operator and business founder. The DeckCrane™ is manufactured by Jarlway Equipment at their Guangzhou, China facility, with plans to move some manufacturing to the US in the near term. Jarlway have over 20 years of experience in design, manufacturing and distribution of a range of tower and specialized cranes across Southeast Asia, the Middle East and Oceania. With a production capacity of over 250 cranes a year and holding CE certification, Jarlway are a world class designer and manufacturer of cranes. Samson Equipment USA have engaged an international engineering company, with offices in New York City, London, Dubai, Singapore and Sydney to perform certification of conformity to UL and AMSE B30-17-2020.

Deck Crane JMC1040



Crane specifications

R	falls	R(CMAX)	CMAX	ft	~3' 3"	~6' 7"	~9' 10"	~13' 2"	~16' 5"	~19' 8"	~22' 8"	~26' 12"	~29' 6"
~29' 6"		~2' 7" - ~29' 6"	~4409	lbs	~4409	~4409	~4409	~4409	~4409	~4409	~4409	~4409	~4409
		~2' 7" - ~29' 6"	~4409	lbs	~8818	~8818	~8818	~8818	~8818	~8818	~8818	~8818	~8818
R	falls	R(CMAX)	CMAX	ft	~3' 3"	~6' 7"	~9' 10"	~13' 2"	~16' 5"	~19' 8"	~22' 8"	~25' 7"	
~25' 7"		~2' 7" - ~25' 7"	~4409	lbs	~4409	~4409	~4409	~4409	~4409	~4409	~4409	~4409	
		~2' 7" - ~25' 7"	~4409	lbs	~8818	~8818	~8818	~8818	~8818	~8818	~8818	~8818	
R	falls	R(CMAX)	CMAX	ft	~3' 3"	~6' 7"	~9' 10"	~13' 2"	~16' 5"	~19' 8"	~21' 8"		
~21' 8"		~2' 7" - ~21' 8"	~4409	lbs	~4409	~4409	~4409	~4409	~4409	~4409	~4409		
		~2' 7" - ~21' 8"	~4409	lbs	~8818	~8818	~8818	~8818	~8818	~8818	~8818		
R	falls	R(CMAX)	CMAX	ft	~3' 3"	~6' 7"	~9' 10"	~13' 2"	~16' 5"	~17' 9"			
~17' 9"		~2' 7" - ~17' 9"	~4409	lbs	~4409	~4409	~4409	~4409	~4409	~4409			
		~2' 7" - ~17' 9"	~4409	lbs	~8818	~8818	~8818	~8818	~8818	~8818			
R	falls	R(CMAX)	CMAX	ft	~3' 3"	~6' 7"	~9' 10"	~13' 2"	~13' 9"				
~13' 9"		~2' 7" - ~13' 9"	~4409	lbs	~4409	~4409	~4409	~4409	~4409				
		~2' 7" - ~13' 9"	~4409	lbs	~8818	~8818	~8818	~8818	~8818				

Contact us

Address: Samson Equipment USA, LLC
5900 Balcones Drive, Suite 100, Austin, TX, 78371

Phone: +1 979 350 2518

Mobile: +1 918 713 1564

Email: scott@samsonequipmentusa.com

Website: samsonequipmentusa.com

Our partners

